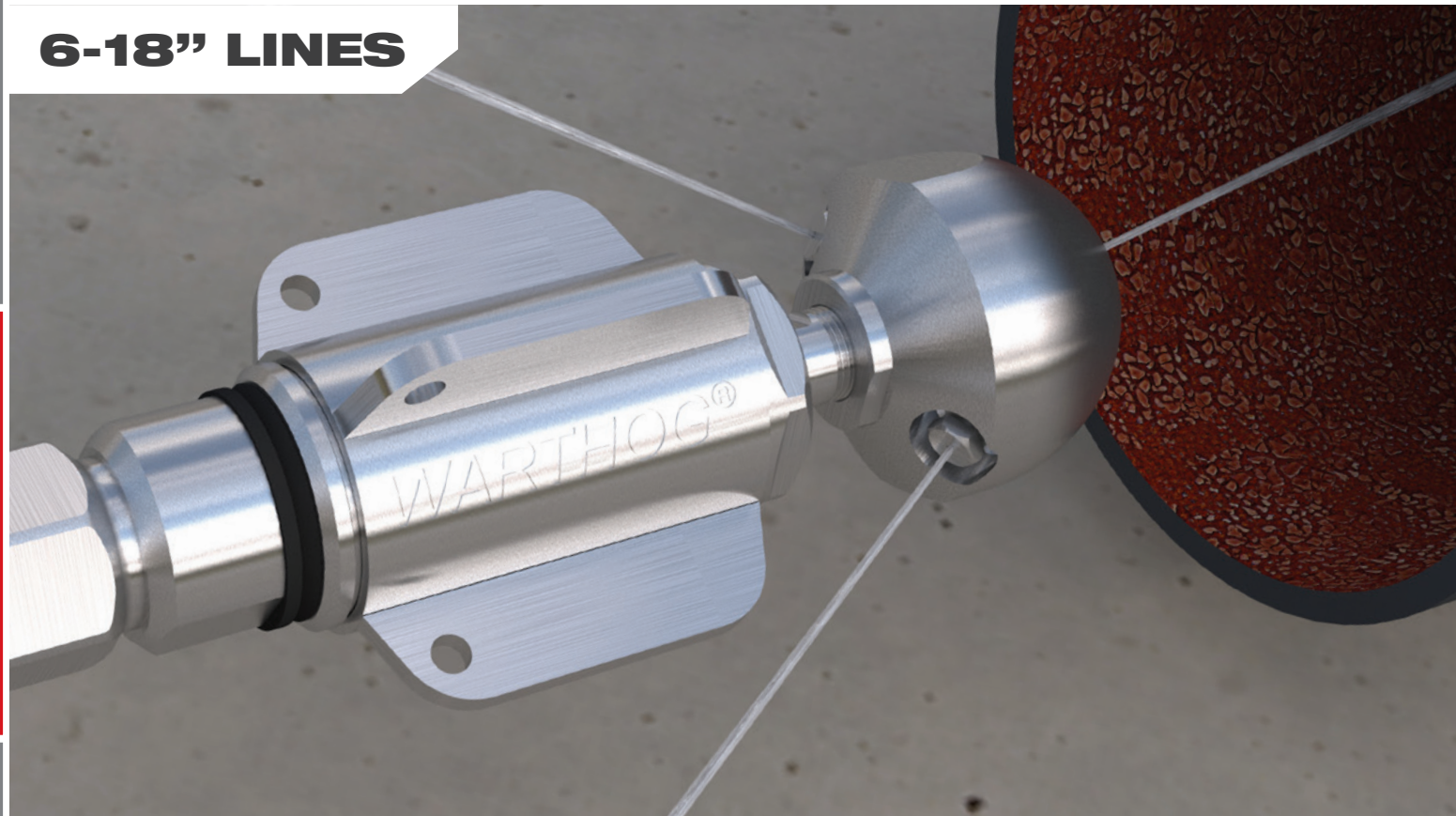


6-18" LINES



CLASSIC

6-18" LINES

WH-1/2 & WH-3/4

The WH-1/2 and the WH-3/4 are the same tool offered with different inlet ports, either 3/4" NPT or BSPP. The WH models are best for 6-18" (152-457 mm) lines. These tools are most commonly used with small capacity combination trucks and large trailer jettors. Descaling Heads are available for both models.

WH-1/2 & 3/4

6-18" Lines (152-457 mm)

Up to 8k psi (550 bar)
10-50 gpm Flows (40-170 l/min)
Two Inlet Options Available

FEATURES:

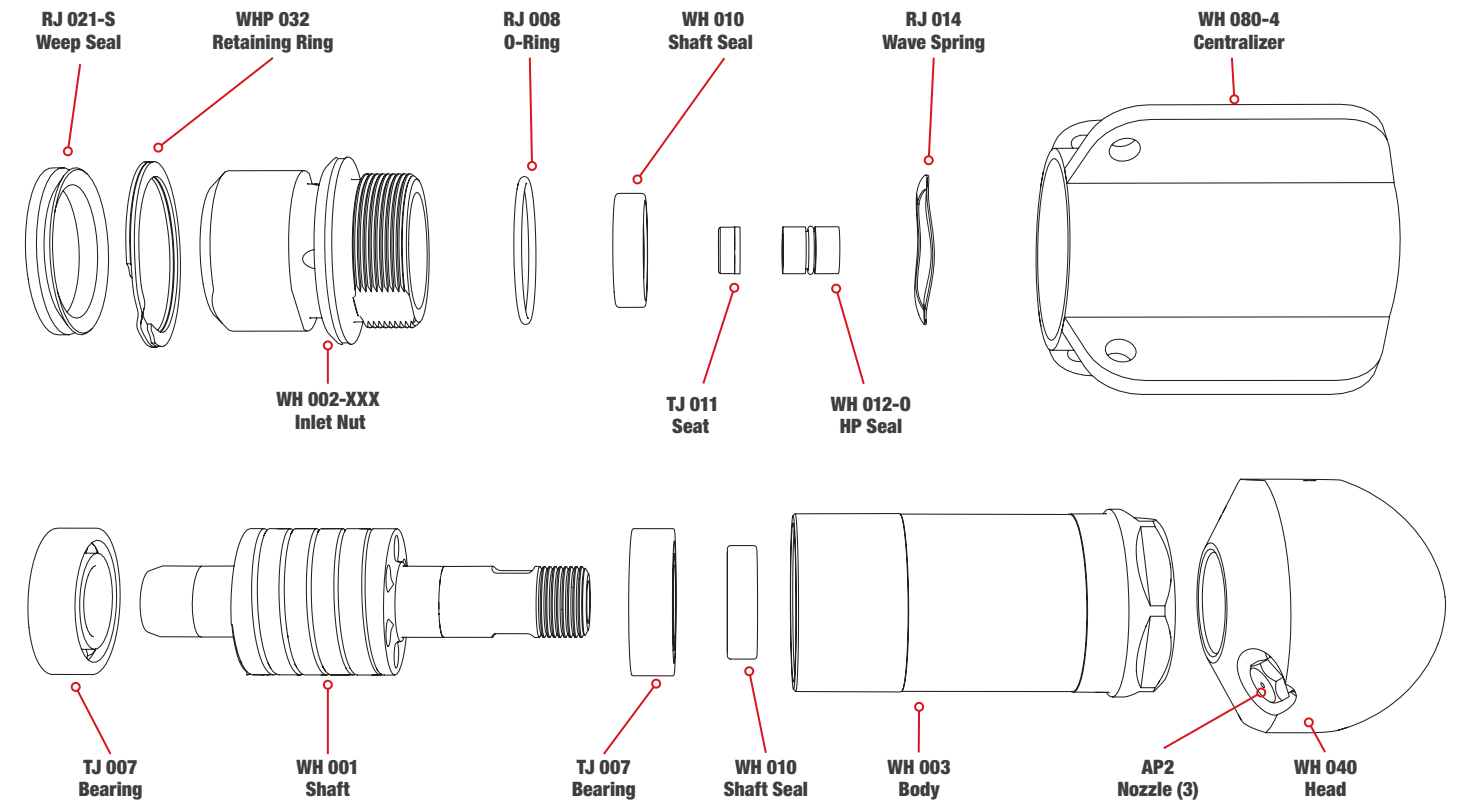
- **Controlled rotation** — Slower dwell time allows jets to penetrate deeper through deposits
- **Multiple head options** — Customize tool for unplugging, descaling or manhole cleaning
- **Highest quality jets** — Hardened stainless steel orifices resist cracking and scratching
- **Optional descaling head available**

WH-1/2 & WH-3/4 Specifications

MAXIMUM PRESSURE	8k psi	550 bar
OPERATING PRESSURE	1500-8k psi	100-550 bar
ROTATION SPEED	150-300 rpm	
FLOW	10-50 gpm	40-170 l/min
FLOW RATING		2.6 Cv
PULLING FORCE	18-50 lb	80-220 N
INLET CONNECTION	1/2 NPT or BSPP & 3/4 NPT or BSPP	
LENGTH	7.5 in.	191 mm
DIAMETER INCL. CENT.	3.4 in.	86 mm
NOZZLE PORTS	3 x 1/8 NPT	
WEIGHT	4.7 lb	2.1 kg

WH-1/2 & WH-3/4

EXPLODED VIEW - PART NAMES AND NUMBERS



Maintenance & Overhaul Kits

WH 600 • SERVICE KIT

- (1) BJ 048-F Viscous Fluid, 6oz.
- (1) BJ 062-S Antiseize, 2g
- (1) GP 025-P2SS Hex Socket Plug
- (1) TJ 011 Brass Seat
- (1) WH 012-0 HP Seal & O-Ring

WH 602 • SEAL KIT

- (1) TJ 011 Brass Seat
- (1) WH 012-0 HP Seal & O-Ring

WH 610 • OVERHAUL KIT

- (1) BJ 048-F Viscous Fluid, 6oz.
- (1) BJ 062-S Antiseize, 2g
- (1) RJ 008 O-Ring
- (1) TJ 011 Brass Seat
- (1) WH 012-0 HP Seal & O-Ring
- (2) TJ 007 Ball Bearing
- (2) WH 010 Shaft Seal
- (1) RJ 021-S Weep Seal
- (1) RJ 014 Wave Spring

WH 612 • TOOL KIT

- (1) TJ 064 Fill Tube
- (1) WH 105 Tool

TECH TIP: DESCALING HEADS

We recommend plugging the front jets to help maximize descaling and pulling power when using this option.

Optional Descaling Head Part Number:
WH 040-DS