

BARRACUDA

Rotary Shotgun Tools for Thick, Heavy Deposits



Barracuda self-rotary tools are the industry standard for speed controlled rotary shotgunning. These lightweight tools adapt to any high pressure pump and are excellent for difficult and irregular surfaces where an operator using a hand-held tool can more efficiently maneuver the cleaning head. Being so versatile and easy to maintain, Barracuda tools are also used on automated pad blaster excavators and other hands-free applications.

Our leak-free seal design and centrifugal speed control delivers more power to the surface for superior results. Barracuda self-rotary tools eliminate the need for expensive compressed air drives.

COMPETITIVE ADVANTAGES

- Effective shotgunning for a wide range of pressures
- With self-rotary tools, jet reaction creates rotation so there's no need for compressed air
- Light weight eases fatigue and keeps operators working with less stress
- Field maintainable, easily rebuilt in most shops with low-cost standard fluid and parts
- Four-port heads can easily be configured for two-port applications
- Titanium head available for low flow applications

FEATURES	BENEFITS
<ul style="list-style-type: none"> • Controlled rotation 	<ul style="list-style-type: none"> • Centrifugal brake maintains a slower speed allowing longer jet impact time with the cleaning surface
<ul style="list-style-type: none"> • Two or four jet options 	<ul style="list-style-type: none"> • Select two jets for hard-hitting deeper penetration or four jets for thin, hard surface removal
<ul style="list-style-type: none"> • Replaceable nozzles 	<ul style="list-style-type: none"> • Easily configure your tool to match pump capacity • Low cost part replacement maintains highest quality performance
<ul style="list-style-type: none"> • Impact resistant shield 	<ul style="list-style-type: none"> • Inexpensive and easily replaceable shield protects working parts of the tool
<ul style="list-style-type: none"> • Leak-free seal design 	<ul style="list-style-type: none"> • 100% of the water is used for cleaning

QUESTIONS TO ASK THE CUSTOMER

- What pressure and flow are you operating?
- What type of material are you removing?
Four jets are generally more effective for thin, hard deposits and two jets for thicker/deeper cleaning.
- Do you need an adapter?
- Do you want a service or overhaul kit?

OTHER INFORMATION

- For information about automated alternatives to manual shotgunning, contact StoneAge Custom Solutions.

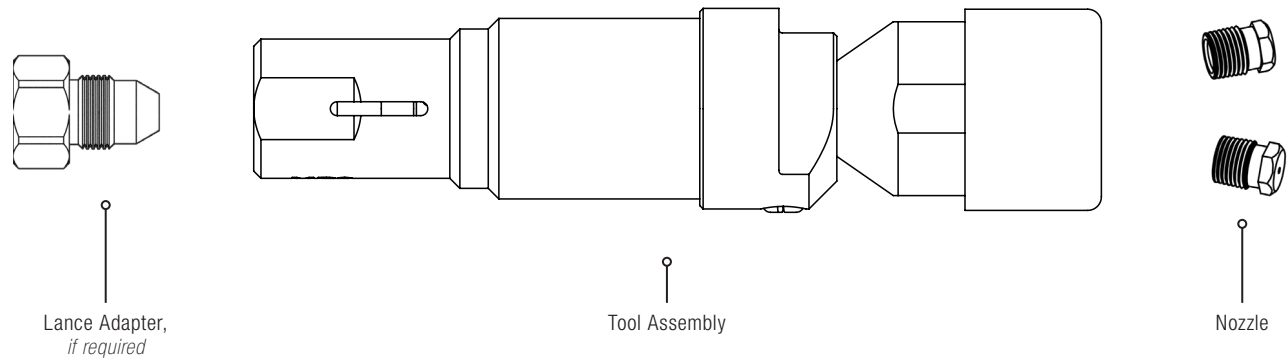
TOOL SPECIFICATIONS

PART ID	BC-K	BC-K-P2	BC-H9-C	BC-H9LF-C	BC-H9-XLF-C	BC-H9XXLF-C-TI
Pressure Range	5–22k psi 350–1500 bar	5–22k psi 350–1500 bar	25–44k psi 1700–3000 bar	25–44k psi 1700–3000 bar	25–44k psi 1700–3000 bar	25–44k psi 1700–3000 bar
Flow Range	4.4–13.3 gpm 17–50 l/min	4.3–12.1 gpm 16–46 l/min	5.6–8.8 gpm 21–33 l/min	4.3–6.7 gpm 16–25 l/min	3.5–5.6 gpm 13–21 l/min	2.3–3.8 gpm 9–14 l/min
Flow Coefficient	.43 Cv	.43 Cv	.38 Cv	.38 Cv	.38 Cv	.38 Cv
Inlet Connection	9/16 MP	9/16 MP	9/16 HP	9/16 HP	9/16 HP	9/16 HP
Port Size	1/4 NPT (P4)	1/8 NPT (P2)	7/16-20 UNF (S7)	7/16-20 UNF (S7)	7/16-20 UNF (S7)	7/16-20 UNF (S7)
Nozzle Type	AP4	AP2	OS7	OS7	OS7	OS7
Port Plug	N/A	GP 025-P2SS	OS7 002	OS7 002	OS7 002	OS7 002
Diameter	1.8 in. 46 mm	1.8 in. 46 mm	1.8 in. 46 mm	1.8 in. 46 mm	1.8 in. 46 mm	2.5 in. 62 mm
Length	7.8 in. 200 mm	7.8 in. 200 mm	7.8 in. 200 mm	7.8 in. 200 mm	7.8 in. 200 mm	8.9 in. 226 mm
Weight	2.7 lb 1.2 kg	2.7 lb 1.2 kg	2.9 lb 1.3 kg	2.9 lb 1.3 kg	2.9 lb 1.3 kg	3.2 lb 1.45 kg
Maximum Water Temperature	160 °F 70 °C	160 °F 70 °C	160 °F 70 °C	160 °F 70 °C	160 °F 70 °C	160 °F 70 °C

Visit our website for tool resources including operation and maintenance videos:

WWW.STONEAGETOOLS.COM

BARRACUDA TOOL CONFIGURATION



A complete Barracuda tool configuration requires the following components:

1. Appropriate tool option for the working pressure and number of nozzle ports
2. Nozzles/Plugs of appropriate number and size

The following items may also be required:

- Suitable lance adapter

To configure a Barracuda tool, the following information should be obtained:

- Pump pressure and flow
- Hose length and ID
- Lance end fitting

BARRACUDA TOOL CONFIGURATION

ORDER TOOL BY STANDARD PACKAGE

StoneAge offers standardized Barracuda tool packages for the most commonly used configurations. All Barracuda tool packages come fully assembled and include: 1. Tool, 2. Nozzles specified to jetting. Some of the packages also contain the lance adapter.

PLEASE NOTE: Lance adapters are not included in all packages. Please check the details of the package contents below. If an adapter is required for your configuration, it must be ordered separately. See Fittings and Adapters for available options.

The following table shows the configurations of standard Barracuda tool packages:

MAXIMUM PRESSURE	HEAD TYPE	PACKAGE CONTENTS	PACKAGE PART ID
22k psi 1500 bar	2 Port	1 x 22k/1500 bar Barracuda tool assembly 2 x AP4 Attack Tip nozzles	BC-K-MP-PKG
		1 x 22k/1500 bar Barracuda tool assembly 2 x AP4 Attack Tip nozzles 1 x Adapter for 1/2 NPT lance	BC-K-NPT-PKG
	4 Port	1 x 22k/1500 bar Barracuda tool assembly 4 x AP2 Attack Tip nozzles	BC-K-P2-MP-PKG
		1 x 22k/1500 bar Barracuda tool assembly 4 x AP2 Attack Tip nozzles 1 x Adapter for 1/2 NPT lance	BC-K-P2-NPT-PKG
44k psi 3000 bar	4 Port	1 x 44k/3000 bar Barracuda tool assembly 4 x OS7 Sapphire nozzles	BC-H9-C-PKG
		1 x 44k/3000 bar Barracuda tool assembly 4 x OS7 Sapphire nozzles	BC-H9LF-C-PKG
		1 x 44k/3000 bar Barracuda tool assembly 4 x OS7 Sapphire nozzles	BC-H9-XLF-C-PKG
		1 x 44k/3000 bar Barracuda tool assembly 4 x OS7 Sapphire nozzles	BC-H9-XXLF-C-TI-PKG

When ordering a standard Barracuda package, you should specify:

1. Package Part ID
2. Pump pressure and flow
3. Hose length and ID
4. Lance adapter, if required

FOR EXAMPLE:

QTY	PART ID	DESCRIPTION
1	BC-H9-C-PKG	Pump 5 gpm 40,000 psi. 100 ft 8 mm ID hose
1	AF 071-H9	9/16 LH collar
1	AF 072-H9	Anti-vibe gland nut

ORDER TOOL BY LINE ITEM

Complete tools can be configured by following the steps outlined below. Contact StoneAge Customer Support for questions about specific applications.

STEP 1 TOOL SELECTION

There are six Barracuda tool options available. The correct tool is selected based on the maximum working pressure, flow rate of the pump and number of nozzle ports required.

MAXIMUM PRESSURE	INLET CONNECTION	HEAD TYPE	FLOW	TOOL PART ID
22k psi 1500 bar	9/16 MP	2 ports	4.4–13.3 gpm 17–50 l/min	BC-K
		4 ports	4.3–12.1 gpm 16–46 l/min	BC-K-P2
44k psi 3000 bar	9/16 HP	4 ports	5.6–8.8 gpm 21–33 l/min	BC-H9-C
			4.3–6.7 gpm 16–25 l/min	BC-H9LF-C
			3.5–5.6 gpm 13–21 l/min	BC-H9-XLF-C
			2.3–3.8 gpm 9–14 l/min	BC-H9-XXLF-C-TI

STEP 2 LANCE CONNECTION

A lance connector may be required. The Barracuda tool is typically connected to the lance with either a collar and gland nut or an adapter. See *Fittings and Adapters* for available options.

STEP 3 NOZZLES AND PLUGS

Barracuda tools come in 2-port and 4-port configurations. Generally, two jets deliver more concentrated power for heavy, thick deposits and four jets are ideal for removing thin, hard deposits.

It is possible to plug two of the ports on 4-port Barracuda tools. The plugs must always be installed in the ports positioned opposite each other, as indicated in *Figure 1*.

The charts on the following page demonstrate appropriate nozzle sizing for common pressure and flow scenarios. Use the StoneAge Jetting App to verify accurate jetting:

JETTING.STONEAGETOOLS.COM

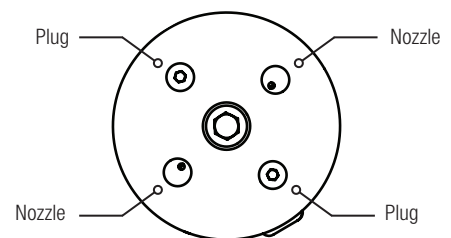
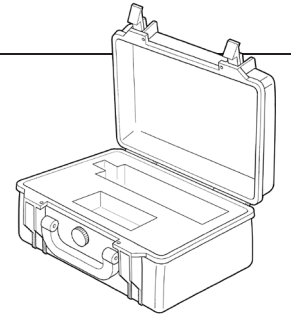


Figure 1. Plugs installed in opposite nozzle ports

STEP 4 ACCESSORIES

A Pelican™ brand protection/carrying case with custom cut foam insert is available for Barracuda tool models.

EXTERIOR DIMENSIONS (L X W X D)	INTERIOR DIMENSIONS (L X W X D)	COLOR	CASE PART ID
11.6 x 8.3 x 3.8 in. 29.6 x 21.2 x 9.6 cm	10.5 x 6.0 x 3.2 in. 26.8 x 15.3 x 8.0 cm	Black	BC 080



STEP 5 MAINTENANCE RESOURCES

TOOL	SERVICE KIT	SEAL KIT	OVERHAUL KIT	TOOL KIT	LUBRICANT	MANUAL
BC-K	BC 600	BC 602	BC 610	BC 612	GP 042	PL 514
BC-K-P2	BC 600	BC 602	BC 610	BC 612	GP 042	PL 514
BC-H9-C	BC 600-H9-C	BC 607-H9-C	BC 610-H9-C	BC 612	GP 042	PL 515
BC-H9LF-C	BC 600-H9-C	BC 607-H9-C	BC 610-H9-C	BC 612	GP 042	PL 515
BC-H9-XLF-C	BC 600-H9-C	BC 607-H9-C	BC 610-H9-C	BC 612	GP 042	PL 686
BC-H9-XXLF-C-TI	BC 600-H9-C	BC 607-H9-C	BC 610-H9-C-TI	BC 612	GP 042	PL 566

Kit components and tool maintenance/assembly videos are available on our website:

WWW.STONEAGETOOLS.COM

For questions or help with a specific application, configuration or tool repairs, please contact StoneAge Customer Support.

When ordering a Barracuda tool by line item, you should specify:

1. Barracuda tool Part ID
2. Part IDs for appropriate number of nozzles/plugs
3. Part ID of lance adapter, if required
4. Part IDs for any accessories or maintenance items

FOR EXAMPLE:

Barracuda tool for pump running 11 gpm/10,000 psi. 100 ft 1/2" ID hose. 2 jet version to fit to a 3/8 NPT gun lance. Carrying case and seal kit.

QTY	PART ID	DESCRIPTION
1	BC-K	Barracuda Swivel Assy, 22k psi, 2 jet
2	AP4 047	Attack Tip 1/4 NPT
1	AF 065-MP9P6	Adapter 9/16 MP Male 3/8 NPT Female 15k psi
1	BC 080	Carry case
1	BC 602	Seal Kit for BC-K swivel